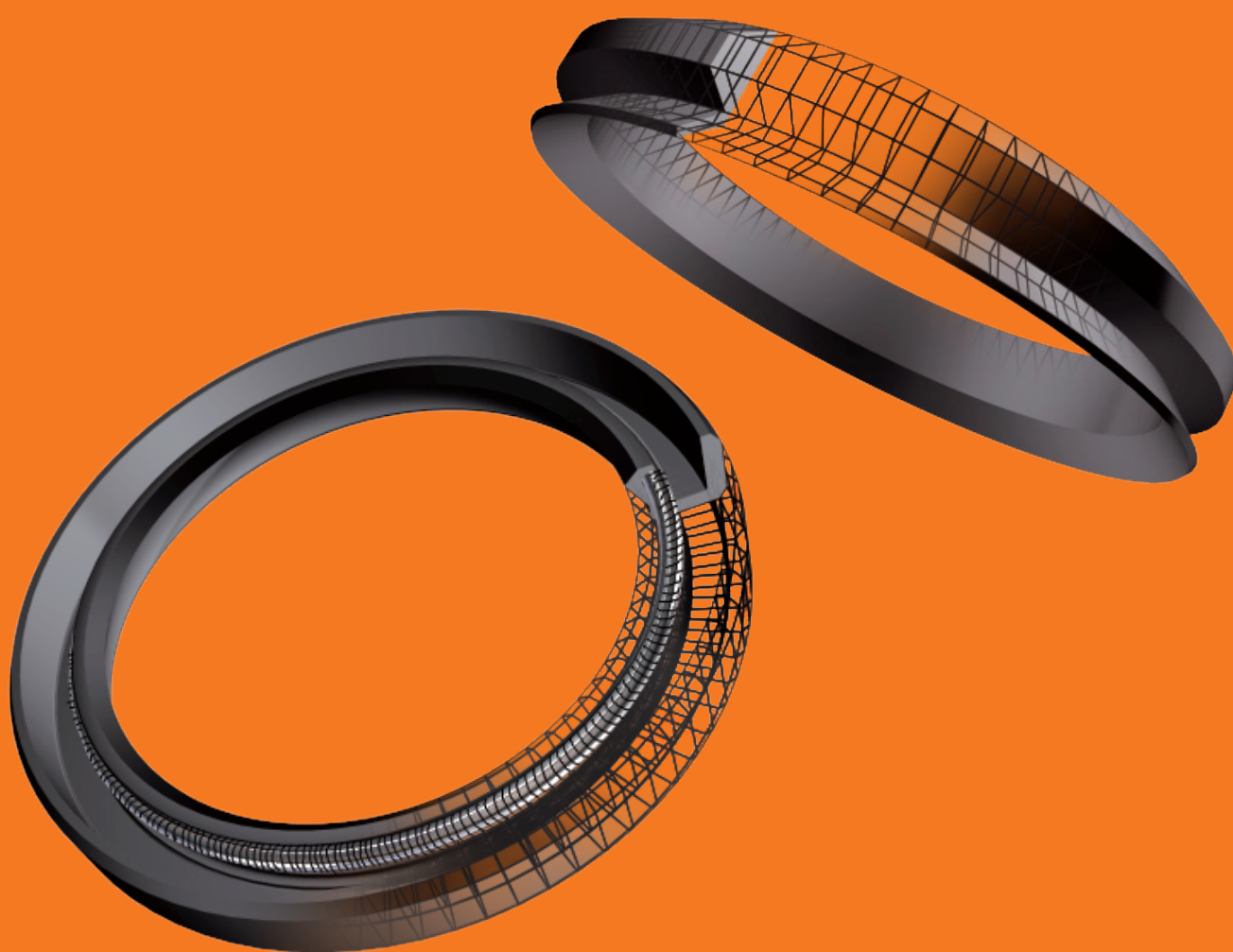


**ecotech** s.r.l.

---

**Anelli di tenuta  
e anelli V - Ring per alberi rotanti**

---



**Listino prezzi**

---



# Anelli di tenuta per alberi rotanti secondo le norme DIN 3760

## Standard



### Tipo A

Labbro piano con inserto metallico ricoperto, molla a spirale in acciaio.



### Tipo AS

Labbro piano con inserto metallico ricoperto, labbro supplementare parapolvere, molla a spirale in acciaio.

## Speciali



### Tipo B

Labbro piano, inserto metallico scoperto, molla a spirale in acciaio.



### Tipo BS

Labbro piano, inserto metallico scoperto, labbro supplementare parapolvere, molla a spirale in acciaio.



### Tipo C

Labbro piano, inserto metallico con scatola metallica protettiva, molla a spirale in acciaio.



### Tipo CS

Labbro piano, inserto metallico con scatola metallica protettiva, labbro supplementare parapolvere, molla a spirale in acciaio.

## Sigle speciali per anelli di tenuta in esecuzioni particolari

P	O	DUO	RD	LD	WD	KL
labbro rinforzato per pressioni sino a 8 bar	labbro di tenuta senza molla	doppio labbro di tenuta con molla	labbro di tenuta con rigatura, senso di rotazione destra	labbro di tenuta con rigatura, senso di rotazione sinistra	labbro di tenuta con rigatura bidirezionale	inserto metallico scoperto calibrato

## Natura dei materiali Labbro di tenuta e rivestimento

Qualità	Materiale di base	Durezza SH	Temperatura di impiego		Osservazioni
NBR	Nitril - Butadiene	70 ± 5	-40	+100	Particolarmente adatto per la tenuta di olii e grassi minerali, vegetali, acqua e soluzioni acquose.
FPM	Polimero Fluorurato	75 ± 5	-30	+200	Eccezionale resistenza al calore, agli idrocarburi alifatici, aromatici, solventi clorurati, acidi ed agenti chimici in genere.
SIL	Silicone	75 ± 5	-50	+170	Notevole resistenza agli agenti atmosferici, luce, ozono, notevole elasticità, buona resistenza agli olii minerali ad alto punto di anilina.

### Armatura metallica

Esecuzione normale  
- acciaio sec. norma DIN 1624  
- acciaio con trattamento protettivo

Esecuzione speciale  
- acciaio inossidabile

### Molla

Esecuzione normale  
- acciaio

Esecuzione speciale  
- acciaio inossidabile  
AISI 302

# Materiali, finiture e tolleranze delle parti metalliche

## Albero

Il materiale più comunemente usato è l'acciaio temperato.

La tolleranza di lavorazione h 11, secondo ISO norma UNI 6388-68, prevede i seguenti valori riportati nella tabella sottostante.

ø albero		tolleranza	ø albero		tolleranza
oltre	fino a	h 11	oltre	fino a	h 11
		0			0
6	10	- 0,090	80	120	- 0,220
		0			0
10	18	- 0,110	120	180	- 0,250
		0			0
18	30	- 0,130	180	250	- 0,290
		0			0
30	50	- 0,160	250	315	- 0,320
		0			0
50	80	- 0,190	315	400	- 0,360

## Sedi

Le tolleranze di lavorazione del diametro delle sedi per gli anelli di tenuta H 8, secondo ISO norma UNI 6388-68, sono riportate nella tabella sottostante.

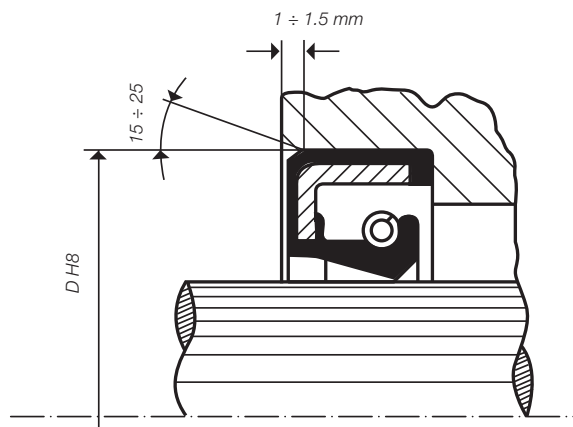
ø sede		tolleranza	ø sede		tolleranza
oltre	fino a	h 8	oltre	fino a	h 8
		+ 0,027			+ 0,063
10	18	0	120	180	0
		+ 0,033			+ 0,072
18	30	0	180	250	0
		+ 0,039			+ 0,081
30	50	0	250	315	0
		+ 0,046			+ 0,089
50	80	0	315	400	0
		+ 0,054			0
80	120	0			

Per la sede non è richiesta una particolare finitura, comunque non deve risultare superiore a 3,2  $\mu\text{m Ra}$ . Il diametro esterno degli anelli di tenuta ha una tolleranza che assicura un accoppiamento stabile tra anello di tenuta e sede.

E' sempre consigliata la realizzazione di uno spallamento o flangia sul quale l'anello di tenuta faccia battuta.

In caso di impossibilità è importante comunque che l'anello non risulti posizionato obliquamente nella sua sede.

Il montaggio dell'anello nell'alloggiamento deve essere facilitato da uno smusso ricavato sull'imbocco della sede, da 15 a 25°, con una profondità di 1 mm per anelli con altezza fino a 10 mm e di 1,2-1,5 mm per anelli con altezza superiore (vedi figura).



# Anelli di tenuta per alberi rotanti secondo norme DIN 3760 in ELASTOMERO NITRILE NBR


**Anello tipo A**

**Anello tipo AS**

Dimensioni	Tipo	€/ Cad.	Dimensioni	Tipo	€/ Cad.	Dimensioni	Tipo	€/ Cad.
5 / 16 / 6	A	1,21	14 / 24 / 5	AS	1,42	17 / 40 / 7	AS	1,93
6 / 14 / 6	A	1,21	14 / 24 / 7	A	1,35	17 / 40 / 8,5	A	1,84
6 / 15 / 4	A	1,21	14 / 24 / 7	AS	1,42	18 / 28 / 7	A	1,43
6 / 16 / 7	A	1,21	14 / 28 / 7	A	1,43	18 / 30 / 5	A	1,43
6 / 19 / 6	A	1,28	14 / 30 / 7	A	1,43	18 / 30 / 7	A	1,43
6 / 19 / 7	A	1,28	14 / 35 / 7	A	1,65	18 / 32 / 7	A	1,65
6 / 22 / 7	A	1,35	15 / 24 / 5	A	1,35	18 / 32 / 7	AS	1,73
7 / 16 / 7	A	1,21	15 / 24 / 7	A	1,35	18 / 35 / 7	A	1,65
7 / 18 / 8	AS	1,26	15 / 24 / 7	AS	1,42	18 / 35 / 7	AS	1,73
7 / 22 / 7	A	1,35	15 / 25 / 5	A	1,35	18 / 35 / 10	A	1,65
8 / 16 / 7	A	1,21	15 / 26 / 7	A	1,43	18 / 40 / 7	A	1,84
8 / 16 / 7	AS	1,26	15 / 26 / 7	AS	1,50	20 / 30 / 5	A	1,43
8 / 18 / 6	A	1,21	15 / 27 / 7	A	1,43	20 / 30 / 5	AS	1,50
8 / 22 / 7	A	1,35	15 / 28 / 4	A	1,43	20 / 30 / 7	A	1,43
8 / 22 / 7	AS	1,42	15 / 28 / 7	A	1,43	20 / 30 / 7	AS	1,50
8 / 24 / 7	A	1,35	15 / 30 / 4,5	A	1,43	20 / 32 / 7	A	1,65
9 / 22 / 7	A	1,35	15 / 30 / 7	A	1,43	20 / 32 / 7	AS	1,73
9 / 24 / 7	A	1,35	15 / 30 / 10	AS	1,50	20 / 35 / 7	A	1,65
9 / 26 / 7	A	1,43	15 / 32 / 7	A	1,65	20 / 35 / 7	AS	1,73
10 / 19 / 7	A	1,28	15 / 35 / 7	A	1,65	20 / 35 / 10	A	1,65
10 / 19 / 7	AS	1,36	15 / 35 / 7	AS	1,73	20 / 40 / 7	A	1,84
10 / 22 / 6	A	1,35	15 / 35 / 10	A	1,65	20 / 40 / 7	AS	1,93
10 / 22 / 7	A	1,35	15 / 40 / 10	A	1,84	20 / 40 / 10	A	1,84
10 / 24 / 7	A	1,35	15 / 42 / 7	A	1,94	20 / 42 / 6	AS	2,04
10 / 26 / 7	A	1,43	16 / 22 / 4	A	1,35	20 / 42 / 7	A	1,94
10 / 30 / 7	A	1,43	16 / 24 / 5	A	1,35	20 / 42 / 7	AS	2,04
11 / 22 / 7	A	1,35	16 / 26 / 7	A	1,43	20 / 42 / 10	A	1,94
11 / 26 / 7	A	1,43	16 / 28 / 7	A	1,43	20 / 47 / 7	A	2,05
11 / 30 / 7	AS	1,50	16 / 28 / 7	AS	1,50	20 / 47 / 7	AS	2,14
12 / 19 / 5	A	1,28	16 / 30 / 7	A	1,43	20 / 47 / 10	A	2,05
12 / 20 / 5	AS	1,35	16 / 32 / 7	A	1,65	22 / 32 / 5,5	A	1,65
12 / 22 / 4	A	1,35	16 / 35 / 7	A	1,65	22 / 32 / 7	A	1,65
12 / 22 / 5	A	1,35	17 / 26 / 6	A	1,43	22 / 32 / 7	AS	1,73
12 / 22 / 7	A	1,35	17 / 28 / 6	A	1,43	22 / 35 / 7	A	1,65
12 / 22 / 7	AS	1,42	17 / 28 / 7	A	1,43	22 / 35 / 7	AS	1,73
12 / 30 / 7	A	1,35	17 / 28 / 7	AS	1,50	22 / 40 / 7	A	1,84
12 / 32 / 7	AS	1,42	17 / 28 / 8	A	1,43	22 / 40 / 7	AS	1,93
13 / 22 / 5	A	1,43	17 / 30 / 5	AS	1,50	22 / 47 / 7	A	2,05
13 / 35 / 10	AS	1,50	17 / 30 / 7	A	1,43	23 / 42 / 10	A	1,94
14 / 22 / 4	A	1,43	17 / 30 / 7	AS	1,50	24 / 35 / 7	A	1,65
12 / 24 / 7	A	1,43	17 / 32 / 7	A	1,65	24 / 36 / 7	A	1,84
12 / 24 / 7	A	1,65	17 / 35 / 7	A	1,65	24 / 36 / 7	AS	1,93
12 / 26 / 8	A	1,35	17 / 35 / 8	A	1,65	24 / 37 / 7	A	1,84
12 / 28 / 5	A	1,65	17 / 35 / 8	AS	1,73	24 / 40 / 7	A	1,84
12 / 28 / 7	A	1,35	17 / 40 / 7	A	1,84	24 / 40 / 7	AS	1,93

Dimensioni	Tipo	€ / Cad.	Dimensioni	Tipo	€ / Cad.	Dimensioni	Tipo	€ / Cad.
24 / 47 / 7	A	2,05	28 / 50 / 10	A	2,05	35 / 50 / 7	A	2,05
25 / 35 / 7	A	1,65	28 / 52 / 7	A	2,09	35 / 50 / 8	AS	2,14
25 / 35 / 7	AS	1,73	30 / 40 / 5	A	1,84	35 / 50 / 10	A	2,05
25 / 37 / 5	A	1,84	30 / 40 / 7	A	1,84	35 / 52 / 6	AS	2,20
25 / 38 / 7	A	1,84	30 / 40 / 7	AS	1,93	35 / 52 / 7	A	2,09
25 / 38 / 7	AS	1,93	30 / 42 / 7	A	1,94	35 / 52 / 7	AS	2,20
	A	1,84	30 / 42 / 7	AS	2,04	35 / 52 / 10	A	2,09
25 / 40 / 7	AS	1,93	30 / 42 / 8	AS	2,04	35 / 52 / 10	AS	2,20
25 / 40 / 8	AS	1,93	30 / 44 / 10	A	1,94	35 / 55 / 9	AS	2,20
25 / 40 / 10	A	1,84	30 / 45 / 8	A	1,94	35 / 55 / 10	A	2,09
25 / 42 / 7	A	1,94	30 / 47 / 7	A	2,05	35 / 55 / 10	AS	2,20
25 / 42 / 7	AS	2,04	30 / 47 / 7	AS	2,14	35 / 56 / 10	A	2,29
25 / 42 / 8,5	A	1,94	30 / 47 / 10	A	2,05	35 / 56 / 10	AS	2,40
25 / 42 / 10	A	1,94	30 / 50 / 7	A	2,05	35 / 60 / 10	A	2,28
25 / 42 / 10	AS	2,04	30 / 50 / 10	A	2,05	35 / 62 / 7	A	2,40
25 / 45 / 10	A	1,94	30 / 52 / 7	A	2,09	35 / 62 / 7	AS	2,52
25 / 46 / 7	A	1,94	30 / 52 / 7	AS	2,20	35 / 62 / 8	AS	2,52
25 / 47 / 7	A	2,05	30 / 52 / 10	A	2,09	35 / 62 / 10	A	2,40
25 / 47 / 7	AS	2,14	30 / 52 / 10	AS	2,20	35 / 62 / 10	AS	2,52
25 / 47 / 10	A	2,05	30 / 55 / 7	A	2,09	35 / 67 / 7	A	2,57
25 / 47 / 10	AS	2,14	30 / 55 / 10	A	2,09	35 / 68 / 10	AS	2,69
25 / 50 / 10	AS	2,14	30 / 55 / 10	AS	2,20	35 / 72 / 10	A	2,57
25 / 52 / 7	A	2,09	30 / 60 / 10	A	2,29	35 / 72 / 10	AS	2,69
25 / 52 / 7	AS	2,20	30 / 62 / 7	A	2,40	35 / 80 / 10	AS	3,17
25 / 52 / 8	A	2,09	30 / 62 / 7	AS	2,52	36 / 47 / 7	A	2,05
25 / 52 / 10	A	2,09	30 / 62 / 10	A	2,40	36 / 47 / 7	AS	2,14
25 / 52 / 10	AS	2,20	30 / 62 / 10	AS	2,52	36 / 50 / 7	A	2,05
25 / 62 / 7	AS	2,52	30 / 72 / 10	A	2,75	36 / 50 / 10	A	2,05
25 / 62 / 10	A	2,40	32 / 42 / 7	A	1,94	36 / 52 / 7	A	2,09
25 / 62 / 10	AS	2,52	32 / 45 / 7	A	1,94	36 / 62 / 7	A	2,40
26 / 35 / 7	A	1,65	32 / 45 / 7	AS	2,04	38 / 50 / 7	A	2,05
26 / 36 / 7	A	1,84	32 / 47 / 7	A	2,04	38 / 52 / 7	A	2,09
26 / 37 / 7	A	1,84	32 / 50 / 8	A	2,04	38 / 52 / 7	AS	2,20
26 / 42 / 7	A	1,94	32 / 50 / 10	A	2,04	38 / 54 / 10	AS	2,20
26 / 47 / 7	A	2,05	32 / 52 / 7	A	2,09	38 / 55 / 7	A	2,09
28 / 40 / 7	AS	2,20	32 / 52 / 7	AS	2,20	38 / 62 / 7	A	2,40
28 / 42 / 10	A	1,84	33 / 50 / 6	AS	2,14	38 / 62 / 7	AS	2,52
28 / 47 / 7	A	1,84	34 / 46 / 10	A	2,05	38 / 62 / 10	A	2,40
28 / 47 / 7	AS	1,93	34 / 50 / 10	A	2,05	38 / 72 / 10	A	2,57
28 / 47 / 10	A	1,84	34 / 52 / 10	A	2,09	40 / 50 / 5	A	2,05
26 / 52 / 10	AS	1,93	35 / 45 / 7	A	1,94	40 / 50 / 7	AS	2,14
27 / 37 / 7	A	1,94	35 / 45 / 10	A	1,94	40 / 52 / 7	A	2,09
28 / 38 / 7	A	2,05	35 / 47 / 4,5	A	2,05	40 / 52 / 7	AS	2,20
28 / 38 / 7	AS	2,14	35 / 47 / 7	A	2,05	40 / 55 / 7	A	2,09
28 / 40 / 7	A	2,05	35 / 47 / 7	AS	2,14	40 / 55 / 7	AS	2,20

Dimensioni	Tipo	€/ Cad.	Dimensioni	Tipo	€/ Cad.	Dimensioni	Tipo	€/ Cad.
40 / 55 / 8	A	2,09	45 / 65 / 8	A	2,40	50 / 80 / 10	A	3,17
40 / 55 / 8	AS	2,20	45 / 65 / 8	AS	2,52	50 / 80 / 10	AS	2,88
40 / 56 / 8	A	2,28	45 / 65 / 10	A	2,40	50 / 90 / 10	AS	2,88
40 / 56 / 8	AS	2,40	45 / 65 / 10	AS	2,52	50 / 110 / 12	A	3,17
40 / 58 / 10	A	2,29	45 / 68 / 10	A	2,57	52 / 62 / 8	A	3,08
40 / 58 / 10	AS	2,40	45 / 72 / 7	A	2,57	52 / 68 / 8	A	2,88
40 / 60 / 10	A	2,29	45 / 72 / 8	A	2,57	52 / 68 / 8	AS	3,17
40 / 60 / 10	AS	2,40	45 / 72 / 8	AS	2,69	52 / 72 / 8	A	3,46
40 / 62 / 7	A	2,40	45 / 72 / 10	A	2,57	52 / 85 / 10	A	4,76
40 / 62 / 7	AS	2,52	45 / 75 / 8	A	2,59	52 / 85 / 10	AS	2,40
40 / 62 / 10	A	2,40	45 / 75 / 8	AS	2,71	54 / 85 / 10	A	2,57
40 / 62 / 10	AS	2,52	45 / 80 / 10	A	2,88	55 / 70 / 8	A	2,69
40 / 63 / 10	A	2,40	45 / 80 / 10	AS	3,02	55 / 70 / 10	A	2,57
40 / 65 / 10	A	2,40	45 / 80 / 13	A	3,02	55 / 72 / 8	A	3,08
40 / 68 / 8	A	2,57	45 / 85 / 10	AS	3,23	55 / 72 / 8	AS	3,23
40 / 68 / 10	A	2,57	45 / 90 / 10	AS	3,46	55 / 72 / 10	A	3,08
40 / 70 / 10	A	2,57	45 / 100 / 10	A	3,94	55 / 72 / 10	AS	2,57
40 / 72 / 7	A	2,57	45 / 100 / 12	A	3,94	55 / 75 / 10	A	2,57
40 / 72 / 10	A	2,57	46 / 64 / 8	A	2,40	55 / 80 / 8	A	2,57
40 / 72 / 10	As	2,69	48 / 62 / 8	A	2,40	55 / 80 / 8	AS	2,69
40 / 80 / 10	A	2,88	48 / 65 / 10	A	2,40	55 / 80 / 10	A	2,57
40 / 80 / 10	AS	3,02	48 / 65 / 10	AS	2,52	55 / 85 / 8	A	2,69
40 / 90 / 10	A	3,30	48 / 68 / 10	AS	2,69	55 / 90 / 8	A	2,59
42 / 55 / 8	A	2,20	48 / 72 / 8	A	2,57	55 / 90 / 8	AS	2,88
42 / 56 / 7	A	2,29	48 / 72 / 8	AS	2,69	55 / 90 / 10	A	3,17
42 / 56 / 7	AS	2,40	48 / 72 / 10	A	2,57	55 / 90 / 10	AS	2,88
42 / 58 / 10	A	2,29	48 / 80 / 10	A	2,88	55 / 100 / 10	AS	3,08
42 / 62 / 7	A	2,40	49 / 65 / 10	A	2,40	55 / 100 / 12	A	3,30
42 / 62 / 8	A	2,40	50 / 65 / 8	A	2,40	55 / 120 / 12	A	3,46
42 / 62 / 10	A	2,40	50 / 65 / 8	AS	2,52	56 / 70 / 8	A	3,30
42 / 65 / 10	AS	2,52	50 / 65 / 10	A	2,40	56 / 72 / 8	A	3,46
42 / 65 / 10	A	2,40	50 / 68 / 8	A	2,57	56 / 80 / 8	A	4,48
42 / 72 / 8	A	2,57	50 / 68 / 8	AS	2,69	56 / 85 / 8	A	4,27
42 / 72 / 10	A	2,57	50 / 68 / 10	A	2,57	58 / 72 / 8	A	6,36
45 / 55 / 7	A	2,09	50 / 68 / 10	AS	2,69	58 / 78 / 13	A	2,57
45 / 60 / 8	A	2,29	50 / 70 / 10	A	2,57	58 / 80 / 8	A	2,57
45 / 60 / 8	AS	2,40	50 / 70 / 10	AS	2,69	58 / 90 / 10	A	2,88
45 / 62 / 8	AS	2,40	50 / 72 / 8	A	2,57	60 / 70 / 7	A	3,08
45 / 62 / 10	A	2,29	50 / 72 / 8	AS	2,69	60 / 75 / 8	A	2,57
45 / 62 / 10	AS	2,40	50 / 72 / 10	A	2,57	60 / 75 / 8	AS	2,88
45 / 56 / 7	A	2,29	50 / 72 / 10	AS	2,69	60 / 80 / 7	AS	2,88
45 / 58 / 7	AS	2,40	50 / 72 / 12	AS	2,69	60 / 80 / 8	A	3,30
45 / 58 / 8	A	2,40	50 / 75 / 10	A	2,59	60 / 80 / 10	A	2,57
45 / 60 / 7	A	2,40	50 / 80 / 8	A	2,88	60 / 80 / 10	AS	2,59
45 / 60 / 7	AS	2,52	50 / 80 / 8	AS	3,17	60 / 85 / 8	A	2,71

Dimensioni	Tipo	€/ Cad.	Dimensioni	Tipo	€/ Cad.	Dimensioni	Tipo	€/ Cad.
60 / 85 / 8	AS	3,23	72 / 95 / 10	A	3,53	90 / 120 / 12	A	5,79
60 / 85 / 10	A	3,08	72 / 95 / 12	A	3,53	90 / 120 / 13	A	5,79
60 / 85 / 10	AS	3,23	72 / 100 / 10	A	3,94	90 / 120 / 13	AS	6,07
60 / 90 / 8	A	3,30	72 / 110 / 12	A	4,76	90 / 130 / 12	A	6,56
60 / 90 / 8	AS	3,46	75 / 90 / 8	A	3,30	90 / 130 / 12	AS	6,89
60 / 90 / 10	A	3,30	75 / 90 / 8	AS	3,46	90 / 160 / 12	A	9,52
60 / 90 / 10	AS	3,46	75 / 90 / 10	A	3,30	92 / 120 / 13	A	5,79
60 / 110 / 13	A	5,24	75 / 95 / 9	AS	3,71	95 / 110 / 10	A	4,76
60 / 130 / 12	A	7,22	75 / 95 / 10	A	3,53	95 / 120 / 12	A	5,79
60 / 140 / 15	AS	8,49	75 / 95 / 10	AS	3,71	95 / 120 / 12	AS	6,07
62 / 85 / 10	A	3,08	75 / 95 / 12	A	3,53	95 / 125 / 12	A	6,38
62 / 90 / 10	A	3,30	75 / 100 / 10	A	3,94	95 / 125 / 12	AS	6,69
62 / 90 / 10	AS	3,46	75 / 100 / 10	AS	4,12	95 / 130 / 13	AS	6,89
62 / 100 / 12	A	4,27	75 / 110 / 12	A	4,76	100 / 120 / 12	A	5,79
63 / 80 / 9	AS	3,17	75 / 110 / 12	AS	4,95	100 / 120 / 12	AS	6,07
63 / 85 / 10	A	3,08	75 / 120 / 12	A	5,79	100 / 125 / 12	A	6,38
63 / 90 / 10	A	3,30	78 / 100 / 10	A	3,94	100 / 130 / 12	A	6,56
64 / 80 / 8	A	2,88	78 / 110 / 12	A	4,76	100 / 130 / 12	AS	6,89
65 / 80 / 8	A	2,88	80 / 100 / 10	A	3,94	100 / 130 / 14	A	6,56
65 / 80 / 10	AS	3,17	80 / 100 / 10	AS	4,34	100 / 150 / 13	A	8,58
65 / 85 / 10	A	3,08	80 / 100 / 13	AS	4,34	100 / 160 / 12	A	10,46
65 / 85 / 10	AS	3,23	80 / 105 / 10	A	4,27	105 / 125 / 13	A	6,38
65 / 90 / 10	A	3,30	80 / 105 / 12	A	4,27	105 / 125 / 13	AS	6,69
65 / 90 / 10	AS	3,46	80 / 105 / 13	A	4,27	105 / 130 / 12	A	6,56
65 / 95 / 10	A	3,53	80 / 110 / 10	A	4,76	105 / 130 / 12	AS	6,89
65 / 100 / 10	A	3,94	80 / 110 / 10	AS	4,95	105 / 130 / 15	A	6,56
65 / 100 / 10	AS	4,14	80 / 125 / 10	AS	6,69	105 / 140 / 12	A	7,35
65 / 125 / 12	A	7,01	82 / 105 / 12	A	4,27	110 / 130 / 8	A	6,56
68 / 90 / 10	A	3,30	82 / 105 / 10 / 12	AS	4,48	110 / 130 / 12	A	6,56
68 / 90 / 10	AS	3,46	85 / 105 / 13	A	4,27	110 / 130 / 12	AS	6,89
68 / 100 / 10	A	3,94	85 / 110 / 12	A	4,76	110 / 130 / 13	A	6,56
70 / 85 / 8	A	3,08	85 / 110 / 12	AS	4,95	110 / 140 / 10	A	7,35
70 / 85 / 8	AS	3,23	85 / 120 / 12	A	5,79	110 / 140 / 12	A	7,35
70 / 85 / 10	A	3,08	85 / 130 / 12	A	6,56	110 / 140 / 13	A	7,35
70 / 90 / 10	A	3,30	85 / 130 / 12	AS	6,89	110 / 200 / 13	A	15,97
70 / 110 / 10	AS	3,46	85 / 140 / 12	A	7,35	115 / 130 / 12	A	6,56
70 / 110 / 12	AS	4,01	85 / 140 / 12	AS	7,72	115 / 140 / 10	A	7,35
70 / 110 / 12	A	3,53	88 / 105 / 12	A	4,27	115 / 140 / 12	A	7,35
70 / 150 / 12	A	3,94	88 / 110 / 12	A	4,76	115 / 140 / 12	AS	7,71
72 / 90 / 10	AS	4,14	88 / 140 / 12	A	7,73	115 / 150 / 12	A	8,58
70 / 90 / 10	AS	4,95	88 / 150,5 / 13	A	9,01	120 / 140 / 13	A	7,35
70 / 95 / 12	A	4,76	90 / 110 / 12	A	4,76	120 / 150 / 12	A	8,58
70 / 95 / 13	AS	4,95	90 / 110 / 12	AS	4,95	120 / 150 / 12	AS	9,01
70 / 100 / 10	A	8,54	90 / 110 / 13	A	4,76	120 / 150 / 13	A	8,58
70 / 100 / 10	A	3,30	90 / 115 / 9	A	5,07	120 / 150 / 15	AS	9,01



Dimensioni	Tipo	€/ Cad.	Dimensioni	Tipo	€/ Cad.	Dimensioni	Tipo	€/ Cad.
120 / 160 / 12	A	9,54	150 / 180 / 15	A	12,07	250 / 280 / 15	A	34,48
120 / 160 / 15	A	9,54	155 / 175 / 12	A	12,07	260 / 290 / 15	A	36,26
125 / 140 / 10	A	7,35	160 / 180 / 10	AS	12,67	260 / 300 / 20	A	53,88
125 / 150 / 12	A	8,58	160 / 185 / 10	A	13,26	265 / 290 / 16	A	38,22
125 / 150 / 12	AS	9,01	160 / 190 / 13	A	13,79	280 / 310 / 15	A	42,03
125 / 155 / 12	A	9,54	160 / 190 / 15	A	13,79	280 / 320 / 20	A	51,56
125 / 155 / 12	AS	10,00	160 / 190 / 15	AS	14,48	290 / 334 / 20	A	45,55
125 / 160 / 12	A	9,54	160 / 200 / 12	A	15,97	300 / 340 / 18	A	45,55
128 / 150 / 13	A	9,01	165 / 190 / 13	A	13,79	300 / 340 / 18	AS	47,83
130 / 150 / 10	A	8,58	165 / 200 / 15	A	15,97	310 / 340 / 15	AS	47,83
130 / 150 / 12	AS	9,01	170 / 190 / 15	A	13,79	320 / 360 / 20	A	54,10
130 / 150 / 15	AS	9,01	170 / 200 / 12	A	15,97	330 / 370 / 18	A	52,54
130 / 160 / 12	A	9,54	170 / 200 / 15	A	15,97	340 / 380 / 18	A	52,54
130 / 160 / 12	AS	10,00	170 / 200 / 15	AS	16,77	350 / 390 / 18	A	56,02
130 / 160 / 13	A	9,54	175 / 200 / 15	A	15,97	360 / 390 / 15	AS	58,82
130 / 160 / 15	A	9,54	175 / 200 / 15	AS	16,77	370 / 410 / 15	A	59,65
130 / 160 / 15	AS	10,00	175 / 210 / 14	A	21,77	380 / 420 / 20	A	73,32
130 / 170 / 12	A	10,62	180 / 200 / 13	A	15,97	380 / 420 / 20	AS	77,02
130 / 230 / 15	A	24,15	180 / 210 / 15	A	21,77	394 / 420 / 16	A	72,52
135 / 160 / 12	A	9,54	180 / 210 / 15	AS	22,86	394 / 420 / 16	AS	76,14
135 / 170 / 12	A	10,62	180 / 215 / 16	A	23,13	400 / 440 / 20	A	79,84
138 / 160 / 15	A	9,54	180 / 220 / 15	A	23,13	420 / 460 / 20	A	86,44
140 / 165 / 12	A	10,62	185 / 215 / 16	A	23,13	420 / 470 / 20	AS	95,73
140 / 170 / 12	A	10,62	190 / 215 / 15	AS	24,29	440 / 480 / 20	A	83,40
140 / 170 / 12	AS	11,15	190 / 215 / 16	AS	24,29	450 / 500 / 22	A	74,69
140 / 170 / 15	A	10,62	190 / 220 / 15	A	23,13	480 / 520 / 20	A	92,83
140 / 170 / 15	AS	11,15	190 / 225 / 16	AS	25,33	500 / 540 / 20	A	105,52
140 / 180 / 12	A	12,07	190 / 230 / 16	AS	25,33	500 / 540 / 20	AS	110,81
140 / 180 / 12	AS	12,67	200 / 225 / 15	A	24,07			
140 / 180 / 13	A	12,07	200 / 230 / 13	A	23,42			
140 / 180 / 13	AS	12,67	200 / 230 / 15	A	24,15			
140 / 180 / 15	A	12,07	200 / 230 / 15	AS	25,35			
145 / 170 / 15	A	10,62	200 / 250 / 15	A	35,49			
145 / 170 / 15	AS	11,15	205 / 230 / 16	A	24,15			
145 / 175 / 15	A	12,07	210 / 240 / 15	A	26,76			
145 / 175 / 15	AS	12,67	210 / 250 / 15	A	29,21			
145 / 180 / 12	A	12,07	210 / 290 / 20	AS	40,20			
145 / 180 / 13	A	12,07	220 / 250 / 15	A	29,21			
145 / 180 / 14	A	12,07	220 / 250 / 15	AS	30,68			
146 / 163 / 7	A	10,62	220 / 260 / 16	A	44,55			
148 / 170 / 14,5	A	10,62	230 / 260 / 15	A	30,60			
150 / 170 / 12	A	10,62	230 / 260 / 15	AS	32,13			
150 / 180 / 12	A	12,07	230 / 280 / 15	A	47,09			
150 / 180 / 13	A	12,07	240 / 270 / 15	A	32,13			
150 / 180 / 13	AS	12,67	240 / 280 / 15	A	34,48			

# AS - P

## Tenuta di fluidi in pressione sino a 10 Bar

Dimensioni	€ / Cad.	Dimensioni	€ / Cad.	Dimensioni	€ / Cad.
8 / 22 / 7	1,60	40 / 60 / 10	2,71	110 / 130 / 12	7,79
9 / 20 / 6	1,60	40 / 62 / 6	2,84	120 / 140 / 13	8,70
10 / 20 / 6	1,60	42 / 62 / 8	2,84	120 / 150 / 12	10,16
10 / 22 / 6	1,60	45 / 55 / 7	2,48	120 / 150 / 15	10,16
10 / 26 / 7	1,70	45 / 58 / 6	2,71	130 / 160 / 12	11,24
11 / 22 / 7	1,60	45 / 58 / 7	2,71	140 / 170 / 15	12,54
12 / 22 / 6	1,60	45 / 62 / 7	2,84	160 / 190 / 8	16,32
12 / 24 / 7	1,60	45 / 65 / 7	2,84		
14 / 24 / 7	1,60	45 / 65 / 8	2,84		
15 / 24 / 7	1,60	47 / 62 / 7	2,84		
15 / 25 / 7	1,60	47 / 65 / 10	2,84		
16 / 28 / 7	1,70	50 / 65 / 8	2,84		
17 / 28 / 6	1,70	50 / 68 / 8	3,05		
17 / 28 / 7	1,70	50 / 72 / 7	3,05		
17 / 30 / 6	1,70	50 / 72 / 8	3,05		
17 / 35 / 7	1,97	55 / 68 / 7	3,05		
18 / 30 / 7	1,70	55 / 70 / 8	3,05		
18 / 35 / 6	1,97	55 / 72 / 7	3,05		
20 / 30 / 5	1,70	55 / 72 / 8	3,05		
20 / 30 / 7	1,70	56 / 72 / 8	3,05		
20 / 35 / 6	1,97	58 / 80 / 10	3,57		
22 / 32 / 7	1,97	60 / 75 / 8	3,08		
22 / 35 / 6	1,97	60 / 75 / 10	3,08		
24 / 40 / 7	2,18	60 / 80 / 7	3,42		
25 / 35 / 6	1,97	60 / 90 / 7	3,93		
25 / 40 / 7	2,18	62 / 85 / 7	3,63		
27 / 42 / 7	2,29	65 / 80 / 7	3,42		
28 / 40 / 7	2,18	65 / 85 / 8	3,63		
30 / 40 / 7	2,18	65 / 90 / 10	3,93		
30 / 42 / 6	2,29	68 / 90 / 10	3,93		
30 / 50 / 7	2,42	70 / 90 / 7	3,93		
30 / 47 / 7	2,42	70 / 90 / 10	3,93		
32 / 44 / 7	2,29	70 / 100 / 10	4,66		
32 / 47 / 7	2,42	75 / 90 / 10	3,93		
35 / 47 / 6	2,42	75 / 95 / 10	4,17		
38 / 50 / 6	2,42	80 / 100 / 7	4,66		
38 / 62 / 7	2,42	85 / 105 / 12	5,04		
40 / 52 / 7	2,42	85 / 120 / 7,5	6,86		
40 / 55 / 7	2,48	90 / 110 / 7,5	5,62		
40 / 56 / 6	2,84	90 / 110 / 12	5,62		
35 / 47 / 7	2,42	90 / 125 / 12	7,56		
35 / 47 / 10	2,84	95 / 120 / 13	6,86		
35 / 50 / 7	2,48	97 / 125 / 12	7,56		
35 / 52 / 6	2,48	100 / 120 / 12	6,86		
35 / 62 / 7	2,71	105 / 140 / 12	8,70		

# Anelli di tenuta per alberi rotanti secondo norme DIN 3760 in FLUORELASTOMERO FPM


**Anello tipo A**

**Anello tipo AS**

Dimensioni	Tipo	€/ Cad.	Dimensioni	Tipo	€/ Cad.	Dimensioni	Tipo	€/ Cad.
4 / 11 / 6	A	5,71	15 / 24 / 5	A	5,71	20 / 32 / 7	A	6,97
4 / 12 / 6	A	5,71	15 / 24 / 7	A	5,71	20 / 33 / 10	A	6,97
5 / 16 / 7	A	5,71	15 / 24 / 7	AS	5,99	20 / 35 / 7	A	6,97
6 / 14 / 6	A	5,71	15 / 26 / 7	A	6,07	20 / 35 / 7	AS	7,32
6 / 15 / 4	A	5,71	15 / 26 / 7	AS	6,38	20 / 35 / 10	A	6,97
6 / 16 / 6	A	5,71	15 / 28 / 7	A	6,07	20 / 38 / 8	A	7,80
6 / 16 / 7	A	5,71	15 / 30 / 4,5	A	6,07	20 / 40 / 7	A	7,80
6 / 19 / 6	A	5,71	15 / 30 / 7	A	6,07	20 / 40 / 7	AS	8,19
6 / 20 / 6	A	5,71	15 / 30 / 10	A	6,07	20 / 40 / 10	A	7,80
6 / 22 / 7	A	5,71	15 / 32 / 7	A	6,97	20 / 42 / 7	A	8,24
7 / 16 / 7	A	5,71	15 / 35 / 7	A	6,97	20 / 42 / 7	AS	8,65
7 / 22 / 7	A	5,71	15 / 37 / 7	A	7,80	20 / 42 / 10	A	8,24
8 / 16 / 7	A	5,71	15 / 42 / 7	A	8,24	20 / 47 / 7	A	8,66
8 / 18 / 5	A	5,71	16 / 24 / 4	A	5,71	20 / 47 / 10	A	8,66
8 / 22 / 7	A	5,71	16 / 26 / 7	A	6,07	20 / 52 / 7	A	8,88
8 / 22 / 7	AS	5,99	16 / 28 / 7	A	6,07	22 / 32 / 7	A	6,97
8 / 24 / 7	A	5,71	16 / 28 / 7	AS	6,38	22 / 35 / 7	A	6,97
9 / 22 / 7	A	5,71	16 / 30 / 7	A	6,07	22 / 35 / 7	AS	7,32
9 / 24 / 7	A	5,71	16 / 30 / 10	A	6,07	22 / 35 / 8	A	6,97
10 / 19 / 7	A	5,71	16 / 32 / 8	A	6,97	22 / 38 / 7	A	7,80
10 / 19 / 7	AS	5,99	17 / 25 / 4	A	5,71	22 / 40 / 7	A	7,80
10 / 22 / 7	A	5,71	17 / 26 / 6	A	6,07	22 / 40 / 7	AS	8,19
10 / 24 / 7	A	5,71	17 / 28 / 6	AS	6,38	22 / 40 / 10	A	7,80
10 / 26 / 7	A	6,07	17 / 28 / 7	A	6,07	22 / 47 / 7	A	8,66
10 / 28 / 7	A	6,07	17 / 28 / 7	AS	6,38	24 / 35 / 7	A	6,97
10 / 28 / 8	A	6,07	17 / 30 / 7	A	6,07	24 / 36 / 7	A	7,80
10 / 30 / 7	A	6,07	17 / 32 / 7	A	6,97	24 / 36 / 7	AS	8,19
11 / 22 / 7	A	5,71	17 / 32 / 10	A	6,97	24 / 37 / 7	A	7,80
12 / 19 / 5	A	5,71	17 / 35 / 7	A	6,97	24 / 40 / 7	A	7,80
12 / 19 / 7	AS	5,99	17 / 35 / 10	A	6,97	25 / 32 / 6	A	6,97
12 / 22 / 4	A	5,71	17 / 40 / 7	A	7,80	25 / 33 / 6	A	6,97
12 / 22 / 4,5	A	5,71	17 / 40 / 10	AS	8,19	25 / 35 / 7	A	6,97
12 / 22 / 7	A	5,71	17 / 47 / 7	A	8,65	25 / 35 / 7	AS	7,32
12 / 22 / 7	AS	5,99	18 / 28 / 6	A	6,07	25 / 37 / 5	A	7,80
12 / 24 / 7	A	5,71	18 / 28 / 7	A	6,07	25 / 37 / 7	AS	8,19
12 / 24 / 7	AS	5,99	18 / 28 / 8	A	6,07	25 / 38 / 7	A	7,80
12 / 28 / 7	A	6,07	18 / 30 / 7	A	6,07	25 / 40 / 5	A	7,80
12 / 30 / 7	A	6,07	18 / 30 / 7	AS	6,38	25 / 40 / 7	A	7,80
12 / 30 / 10	A	6,07	18 / 32 / 7	A	6,97	25 / 40 / 7	AS	8,19
13 / 30 / 7	A	6,07	18 / 35 / 7	AS	7,32	25 / 40 / 8	AS	8,19
14 / 22 / 4	A	5,71	18 / 35 / 8	A	6,97	25 / 40 / 10	A	7,80
14 / 24 / 7	A	5,71	18 / 40 / 7	A	7,80	25 / 42 / 7	A	8,24
14 / 27 / 7	A	6,07	20 / 30 / 5	A	6,07	25 / 42 / 7	AS	8,65
14 / 28 / 10	A	6,07	20 / 30 / 7	A	6,07	25 / 42 / 10	A	8,24
14 / 30 / 7	A	6,07	20 / 30 / 7	AS	6,38	25 / 45 / 10	A	8,24

Dimensioni	Tipo	€ / Cad.	Dimensioni	Tipo	€ / Cad.	Dimensioni	Tipo	€ / Cad.
25 / 47 / 8	A	8,66	30 / 55 / 7	A	8,88	38 / 50 / 7	A	8,66
25 / 47 / 10	A	8,66	30 / 55 / 10	A	8,88	38 / 52 / 7	A	8,88
25 / 50 / 7	A	8,66	30 / 56 / 10	A	9,71	38 / 52 / 7	AS	9,34
25 / 50 / 10	A	8,66	30 / 62 / 7	A	10,65	38 / 54 / 6,5	A	8,88
25 / 52 / 7	A	8,88	30 / 62 / 10	A	10,65	38 / 54 / 10	A	8,88
25 / 52 / 7	AS	9,34	30 / 72 / 8	AS	12,80	38 / 55 / 7	A	8,88
25 / 52 / 10	A	8,88	31 / 47 / 7	A	8,66	38 / 56 / 10	A	9,71
25 / 62 / 7	A	10,65	32 / 45 / 7	A	8,24	38 / 60 / 10	A	9,71
25 / 62 / 10	A	10,65	32 / 47 / 7	A	8,24	38 / 62 / 7	AS	11,17
26 / 36 / 7	A	7,80	32 / 47 / 7	AS	9,09	38 / 62 / 10	A	10,65
26 / 42 / 7	AS	8,65	32 / 48 / 7	A	8,66	38 / 62 / 10	AS	11,19
26 / 47 / 7	A	8,66	32 / 50 / 10	A	8,66	40 / 52 / 6	A	8,88
27 / 37 / 7	A	7,80	32 / 52 / 7	A	8,88	40 / 52 / 7	A	8,88
27 / 41 / 10	A	8,24	32 / 52 / 10	A	8,88	40 / 52 / 7	AS	9,34
28 / 38 / 7	A	7,80	33 / 45 / 7	A	8,24	40 / 55 / 6	AS	9,34
28 / 40 / 7	A	7,80	34 / 49 / 8	A	8,66	40 / 55 / 7	A	8,88
28 / 40 / 10	A	7,80	35 / 44 / 7	A	8,24	40 / 55 / 8	A	8,88
28 / 42 / 10	A	8,24	35 / 45 / 7	A	8,24	40 / 55 / 8	AS	9,34
28 / 45 / 7	A	8,24	35 / 47 / 7	A	8,66	40 / 56 / 8	A	9,71
28 / 45 / 9	A	8,24	35 / 47 / 7	AS	9,09	40 / 56 / 10	A	9,71
28 / 47 / 7	A	8,66	35 / 50 / 7	A	8,66	40 / 58 / 10	A	9,71
28 / 47 / 7	AS	9,09	35 / 50 / 8	A	8,66	40 / 60 / 10	A	9,71
28 / 47 / 10	A	8,66	35 / 50 / 8	AS	9,09	40 / 60 / 10	AS	10,19
28 / 47 / 10	AS	9,09	35 / 50 / 10	A	8,66	40 / 62 / 7	A	10,65
28 / 50 / 10	A	8,66	35 / 52 / 6	AS	9,34	40 / 62 / 7	AS	11,17
28 / 52 / 7	A	8,88	35 / 52 / 7	A	8,88	40 / 62 / 10	A	10,65
28 / 52 / 7	AS	9,34	35 / 52 / 10	A	8,88	40 / 62 / 12	A	10,65
30 / 40 / 5	A	7,80	35 / 52 / 10	AS	9,34	40 / 62 / 12	AS	11,17
30 / 40 / 7	A	7,80	35 / 54 / 10	A	8,88	40 / 65 / 10	A	10,65
30 / 40 / 7	AS	8,19	35 / 55 / 10	A	8,88	40 / 68 / 10	A	11,45
30 / 42 / 7	A	8,24	35 / 55 / 10	AS	9,34	40 / 72 / 7	A	12,18
30 / 42 / 7	AS	8,65	35 / 56 / 10	A	9,71	40 / 72 / 10	A	12,18
30 / 45 / 7	A	8,24	35 / 62 / 7	A	10,65	40 / 72 / 10	AS	12,80
30 / 45 / 8	A	8,24	35 / 62 / 7	AS	11,17	40 / 80 / 10	A	12,83
30 / 45 / 10	A	8,24	35 / 62 / 10	A	10,65	40 / 80 / 10	AS	13,48
30 / 47 / 7	A	8,66	35 / 68 / 10	A	11,45	40 / 85 / 10	A	13,69
30 / 47 / 7	AS	9,09	35 / 72 / 10	A	12,18	42 / 55 / 7	AS	9,34
30 / 47 / 8	A	8,66	36 / 50 / 7	A	8,66	42 / 55 / 8	A	8,88
30 / 47 / 10	A	8,66	36 / 50 / 7	AS	9,09	42 / 56 / 7	A	9,71
30 / 50 / 7	A	8,66	36 / 50 / 10	A	8,66	42 / 56 / 7	AS	10,19
30 / 50 / 10	A	8,66	36 / 52 / 7	AS	9,34	42 / 60 / 10	A	9,71
30 / 52 / 5	A	8,88	36 / 54 / 7,5	A	8,88	42 / 60 / 12	A	9,71
30 / 52 / 7	A	8,88	36 / 62 / 7	AS	11,17	42 / 62 / 7	A	10,65
30 / 52 / 10	A	8,88	36 / 65 / 10	A	10,65	42 / 62 / 8	A	10,65
30 / 52 / 10	AS	9,34	37 / 52 / 10	A	8,88	42 / 62 / 8	AS	11,17

Dimensioni	Tipo	€ / Cad.	Dimensioni	Tipo	€ / Cad.	Dimensioni	Tipo	€ / Cad.
42 / 62 / 10	A	10,65	50 / 70 / 12	A	11,45	58 / 72 / 10	A	12,18
42 / 65 / 10	A	10,65	50 / 72 / 7	AS	12,80	58 / 75 / 8	A	12,18
42 / 72 / 10	A	12,18	50 / 72 / 8	A	12,18	58 / 78 / 13	A	12,83
44 / 65 / 10	A	10,65	50 / 72 / 8	AS	12,80	58 / 80 / 8	A	12,83
45 / 55 / 7	A	8,88	50 / 72 / 10	A	12,18	58 / 80 / 9	AS	13,49
45 / 60 / 7	A	9,71	50 / 72 / 10	AS	12,80	58 / 80 / 10	A	12,83
45 / 60 / 8	A	9,71	50 / 72 / 12	A	12,18	60 / 72 / 8	A	12,18
45 / 60 / 10	A	9,71	50 / 72 / 12	AS	12,80	60 / 75 / 8	A	12,18
45 / 62 / 7	A	10,65	50 / 75 / 10	A	12,18	60 / 75 / 8	AS	12,80
45 / 62 / 7	AS	11,17	50 / 75 / 10	AS	12,80	60 / 75 / 10	A	12,18
45 / 62 / 8	A	10,65	50 / 80 / 8	A	12,83	60 / 78 / 10	A	12,83
45 / 62 / 8	AS	11,17	50 / 80 / 8	AS	13,49	60 / 80 / 8	A	12,83
45 / 62 / 10	A	10,65	50 / 80 / 10	A	12,83	60 / 80 / 8	AS	13,49
45 / 62 / 12	A	10,65	50 / 80 / 13	AS	13,49	60 / 80 / 10	A	12,83
45 / 65 / 8	A	10,65	50 / 90 / 10	A	14,72	60 / 80 / 10	AS	13,49
45 / 65 / 8	AS	11,17	52 / 62 / 8	A	10,65	60 / 80 / 12	A	12,83
45 / 65 / 10	A	10,65	52 / 68 / 8	A	11,45	60 / 80 / 12	AS	13,49
45 / 66 / 6	A	11,45	52 / 69 / 10	A	11,45	60 / 85 / 8	A	13,70
45 / 68 / 10	A	11,45	52 / 72 / 8	A	12,18	60 / 85 / 8	AS	14,39
45 / 70 / 12	A	11,45	52 / 72 / 8	AS	12,80	60 / 85 / 10	A	13,70
45 / 72 / 8	A	12,18	52 / 72 / 10	A	12,18	60 / 85 / 10	AS	14,39
45 / 72 / 8	AS	12,80	52 / 75 / 12	A	12,18	60 / 90 / 8	A	14,72
45 / 72 / 10	A	12,18	54 / 70 / 12	A	11,45	60 / 90 / 10	A	14,72
45 / 75 / 10	A	12,18	54 / 85 / 10	A	13,70	60 / 90 / 10	AS	15,44
45 / 75 / 10	AS	12,80	55 / 68 / 8	A	11,45	60 / 90 / 13	A	14,72
45 / 80 / 10	A	12,83	55 / 70 / 8	A	11,45	60 / 95 / 10	A	15,74
45 / 85 / 10	AS	14,38	55 / 70 / 8	AS	12,03	60 / 110 / 13	A	21,18
48 / 62 / 8	A	10,37	55 / 70 / 10	A	11,45	62 / 80 / 10	A	12,83
48 / 62 / 8	AS	11,17	55 / 72 / 8	A	12,18	62 / 85 / 10	A	13,70
48 / 65 / 10	A	10,65	55 / 72 / 8	AS	12,80	62 / 85 / 12	A	13,70
48 / 65 / 10	AS	11,17	55 / 72 / 10	A	12,18	63 / 85 / 10	A	13,70
48 / 72 / 8	A	12,18	55 / 72 / 10	AS	12,80	63 / 85 / 10	AS	14,39
48 / 72 / 8	AS	12,80	55 / 75 / 10	A	12,18	65 / 80 / 8	A	12,83
48 / 72 / 10	A	12,18	55 / 75 / 12	A	12,18	65 / 80 / 8	AS	13,49
48 / 80 / 10	A	12,83	55 / 80 / 8	A	12,83	65 / 80 / 10	AS	13,49
50 / 60 / 7	A	9,71	55 / 80 / 8	AS	13,49	65 / 85 / 8	A	13,70
50 / 62 / 7	A	10,65	55 / 80 / 10	A	12,83	65 / 85 / 10	A	13,70
50 / 65 / 8	A	10,65	55 / 80 / 10	AS	13,49	65 / 85 / 13	AS	14,39
50 / 65 / 8	AS	11,17	55 / 90 / 10	A	14,72	65 / 90 / 10	A	14,72
50 / 65 / 10	A	10,65	55 / 90 / 10	AS	15,44	65 / 90 / 10	AS	15,44
50 / 68 / 8	A	11,45	56 / 70 / 8	A	11,45	65 / 95 / 10	A	15,74
50 / 68 / 8	AS	12,03	56 / 72 / 8	AS	12,80	65 / 100 / 10	A	17,55
50 / 68 / 10	A	11,45	56 / 80 / 12	A	12,83	68 / 90 / 10	A	14,72
50 / 68 / 10	AS	12,03	56 / 85 / 8	A	13,70	68 / 90 / 10	AS	15,44
50 / 70 / 10	A	11,45	58 / 72 / 8	A	12,18	68 / 100 / 10	A	17,55

Dimensioni	Tipo	€ / Cad.	Dimensioni	Tipo	€ / Cad.	Dimensioni	Tipo	€ / Cad.
70 / 85 / 7	A	13,70	90 / 120 / 12	A	25,74	125 / 155 / 12	A	47,28
70 / 85 / 8	A	13,70	90 / 120 / 13	A	25,74	125 / 155 / 12	AS	49,68
70 / 88 / 9	A	14,72	92 / 120 / 13	A	25,74	125 / 160 / 12	A	47,28
70 / 90 / 10	A	14,72	95 / 110 / 10	A	22,27	130 / 150 / 12	AS	40,11
70 / 90 / 10	AS	15,44	95 / 115 / 13	AS	25,67	130 / 160 / 12	A	47,28
70 / 90 / 12	A	14,72	95 / 120 / 12	A	25,74	130 / 160 / 12	AS	49,68
70 / 90 / 13	A	14,72	95 / 120 / 13	AS	27,05	130 / 160 / 13	A	47,28
70 / 90 / 13	AS	15,44	95 / 125 / 12	A	27,02	130 / 160 / 15	A	47,28
70 / 95 / 10	A	15,74	95 / 125 / 12	AS	28,36	130 / 160 / 15	AS	49,68
70 / 100 / 10	A	17,55	100 / 115 / 9	AS	25,67	130 / 170 / 12	A	51,34
70 / 100 / 10	AS	18,42	100 / 120 / 12	A	25,74	135 / 160 / 12	A	47,28
70 / 100 / 12	A	17,55	100 / 120 / 12	AS	27,05	135 / 170 / 12	A	51,34
70 / 103 / 13	A	19,04	100 / 120 / 13	A	25,74	140 / 165 / 12	A	51,34
70 / 110 / 10	A	21,18	100 / 125 / 12	A	27,02	140 / 170 / 12	A	51,34
72 / 85 / 10	A	13,70	100 / 125 / 13	A	27,02	140 / 170 / 12	AS	53,96
72 / 90 / 10	A	14,72	100 / 130 / 12	A	29,23	140 / 170 / 15	A	51,34
72 / 95 / 10	A	15,74	100 / 130 / 12	AS	30,68	140 / 170 / 15	AS	53,96
75 / 90 / 8	A	14,72	104 / 120 / 13	A	25,74	140 / 180 / 12	A	53,52
75 / 90 / 8	AS	15,44	105 / 125 / 13	A	27,02	140 / 180 / 15	A	53,52
75 / 90 / 10	A	14,72	105 / 125 / 13	AS	28,36	145 / 170 / 15	AS	53,96
75 / 95 / 10	A	15,74	105 / 130 / 12	A	29,23	145 / 175 / 15	A	53,52
75 / 95 / 10	AS	16,53	105 / 130 / 12	AS	30,68	145 / 175 / 15	AS	56,21
75 / 95 / 12	A	15,74	105 / 130 / 13	AS	30,68	145 / 180 / 12	A	53,52
75 / 100 / 10	A	17,55	105 / 130 / 15	A	29,23	145 / 180 / 13	A	53,52
75 / 100 / 10	AS	18,42	105 / 140 / 12	A	32,70	145 / 180 / 14	A	53,52
75 / 100 / 12	A	17,55	110 / 130 / 12	A	29,23	150 / 170 / 12	A	51,34
75 / 110 / 12	A	21,18	110 / 130 / 12	AS	30,68	150 / 180 / 12	A	53,52
78 / 100 / 10	A	17,55	110 / 130 / 13	A	29,23	150 / 180 / 13	A	53,52
78 / 110 / 12	A	21,18	110 / 140 / 12	A	32,70	150 / 180 / 15	A	53,52
80 / 100 / 10	A	17,55	110 / 140 / 12	AS	34,37	160 / 185 / 10	A	61,50
80 / 100 / 10	AS	18,42	110 / 140 / 13	A	32,70	160 / 190 / 13	A	61,50
80 / 100 / 13	AS	18,42	115 / 130 / 12	A	29,23	160 / 190 / 15	A	61,50
80 / 105 / 12	A	19,04	115 / 140 / 12	A	32,70	160 / 190 / 15	AS	64,62
80 / 110 / 10	AS	22,27	115 / 140 / 12	AS	34,37	165 / 190 / 13	A	61,50
80 / 110 / 12	A	22,27	115 / 150 / 12	A	38,22	165 / 195 / 15	A	71,00
82 / 105 / 12	A	19,04	120 / 140 / 10	A	32,70	170 / 190 / 15	A	61,50
85 / 110 / 12	A	22,27	120 / 140 / 13	A	32,70	170 / 200 / 12	A	71,00
85 / 110 / 12	AS	22,23	120 / 150 / 12	A	38,18	170 / 200 / 15	A	71,00
85 / 120 / 12	A	25,74	120 / 150 / 12	AS	40,11	170 / 200 / 15	AS	74,69
85 / 120 / 12	AS	27,05	120 / 150 / 13	A	38,18	175 / 200 / 10	A	71,00
90 / 110 / 12	A	22,27	120 / 150 / 15	AS	40,11	175 / 200 / 15	A	71,00
90 / 110 / 12	AS	22,23	120 / 160 / 12	A	42,20	180 / 200 / 13	A	71,00
90 / 110 / 13	AS	22,23	120 / 160 / 15	A	42,20	180 / 210 / 15	A	96,82
90 / 115 / 9	A	24,44	125 / 150 / 12	A	38,22	180 / 210 / 15	AS	101,67
90 / 115 / 12	A	24,44	125 / 150 / 12	AS	40,11	180 / 215 / 16	A	102,98

Dimensioni    Tipo    € / Cad.

---

180 / 220 / 15    A    102,98  
185 / 210 / 13    A    96,82  
190 / 215 / 16    AS    108,13  
190 / 220 / 15    A    102,98  
190 / 225 / 16    AS    113,28

200 / 225 / 15    A    108,34  
200 / 230 / 13    A    108,34  
200 / 230 / 15    A    108,34  
200 / 230 / 15    AS    113,78  
200 / 250 / 15    A    136,34

205 / 230 / 16    A    108,34  
210 / 240 / 15    A    117,12  
210 / 250 / 15    A    130,40  
220 / 250 / 15    A    130,40  
220 / 260 / 16    A    149,03

230 / 260 / 15    A    149,03  
230 / 260 / 15    AS    156,50  
230 / 280 / 15    A    154,83  
240 / 270 / 15    A    150,99  
240 / 270 / 15    AS    158,55

240 / 280 / 15    A    154,83  
250 / 280 / 15    A    154,83  
260 / 300 / 20    A    191,46  
265 / 290 / 16    A    164,12  
280 / 310 / 15    A    189,13

280 / 320 / 20    A    200,15  
290 / 334 / 20    A    205,38  
300 / 340 / 18    A    205,38  
320 / 360 / 20    A    226,56  
330 / 370 / 18    A    234,73

340 / 380 / 18    A    236,34  
350 / 390 / 18    A    251,87  
370 / 410 / 15    A    268,18  
380 / 420 / 20    A    278,76  
400 / 440 / 20    A    282,68

420 / 460 / 20    A    298,06  
440 / 480 / 20    A    315,40  
480 / 520 / 20    A    404,24  
500 / 540 / 20    A    411,48

# Anelli di tenuta frontale tipo V-Ring in elastomero NITRILE NBR



**V-Ring tipo VA**

Riferimento	Øi anello	Øo albero	€/ Cad.	Riferimento	Øi anello	Øo albero	€/ Cad.
VA 3	2,5	2,9 - 3,5	0,42	VA 650	585	630 - 665	
VA 4	3,2	3,5 - 4,5	0,42	VA 700	630	665 - 705	
VA 5	4	4,5 - 5,5	0,46	VA 725	652	705 - 745	
VA 6	5	5,5 - 6,5	0,46	VA 750	675	745 - 785	
VA 7	6	6,5 - 8,0	0,50	VA 800	720	785 - 830	
VA 8	7	8,0 - 9,5	0,50	VA 850	785	830 - 875	
VA 10	9	9,5 - 11,5	0,51	VA 900	825	875 - 920	
VA 12	10,5	11,5 - 12,5	0,51	VA 950	855	920 - 965	
VA 14	12,5	13,5 - 15,5	0,53	VA 1000	900	965 - 1015	
VA 16	14	15,5 - 17,5	0,57	VA 1050	945	1015 - 1065	
VA 18	16	17,5 - 19,0	0,59	VA 1100	990	1065 - 1115	
VA 20	18	19 - 21	0,60	VA 1150	1035	1115 - 1165	
VA 22	20	21 - 24	0,67	VA 1200	1080	1165 - 1215	
VA 25	22	24 - 27	0,67	VA 1250	1125	1215 - 1270	
VA 28	25	27 - 29	0,71	VA 1300	1170	1270 - 1320	
VA 30	27	29 - 31	0,73	VA 1350	1215	1320 - 1370	
VA 32	29	31 - 33	0,80	VA 1400	1260	1370 - 1420	
VA 35	31	33 - 36	0,81	VA 1450	1305	1420 - 1470	
VA 38	34	36 - 38	0,85	VA 1500	1350	1470 - 1520	
VA 40	36	38 - 43	0,87	VA 1550	1395	1520 - 1570	
VA 45	40	43 - 48	0,97	VA 1600	1440	1570 - 1620	
VA 50	45	48 - 53	1,08	VA 1650	1485	1620 - 1670	
VA 55	49	53 - 58	1,11	VA 1700	1530	1670 - 1720	
VA 60	54	58 - 63	1,23	VA 1750	1575	1720 - 1770	
VA 65	58	63 - 68	1,36	VA 1800	1620	1770 - 1820	
VA 70	63	68 - 73	1,44	VA 1850	1665	1820 - 1870	
VA 75	67	73 - 78	1,57	VA 1900	1710	1870 - 1920	
VA 80	72	78 - 83	1,68	VA 1950	1755	1920 - 1970	
VA 85	76	83 - 88	1,81	VA 2000	1800	1970 - 2020	
VA 90	81	88 - 93	1,97				
VA 95	85	93 - 98	1,99				
VA 100	90	98 - 105	2,06				
VA 110	99	105 - 115	2,87				
VA 120	108	115 - 125	3,51				
VA 130	117	125 - 135	4,26				
VA 140	126	135 - 145	5,18				
VA 150	135	145 - 155	5,71				
VA 160	144	155 - 165	8,93				
VA 170	153	165 - 175	10,14				
VA 180	162	175 - 185	11,30				
VA 190	171	185 - 195	12,32				
VA 199	180	195 - 210	13,35				
VA 200	180	190 - 210	13,79				
VA 220	198	210 - 235	14,67				
VA 250	225	235 - 265	18,58				
VA 275	247	265 - 290	27,19				
VA 300	270	290 - 310	33,06				
VA 325	292	310 - 335	39,89				
VA 350	315	335 - 365	44,95				
VA 375	337	365 - 390	51,77				
VA 400	360	390 - 430	57,06				
VA 450	405	430 - 480	70,05				
VA 500	450	480 - 530	87,75				
VA 550	495	530 - 580	105,86				
VA 600	540	580 - 630	123,27				

Prezzi su richiesta

**Confezioni:**

fino rif. 40    sacchetti da 100 pezzi;  
rif. 45-100    sacchetti da 50 pezzi;  
rif. 110-199    sacchetti da 10 pezzi;




**V-Ring tipo VS**

Riferimento	øi anello	ø albero	€/ Cad.
VS 5	4	4,5 - 5,5	0,46
VS 6	5	5,5 - 6,5	0,46
VS 7	6	6,5 - 8,0	0,50
VS 8	7	8,0 - 9,5	0,50
VS 10	9	9,5 - 11,5	0,51
VS 12	10,5	11,5 - 13,5	0,51
VS 14	12,5	13,5 - 15,5	0,53
VS 16	14	15,5 - 17,5	0,57
VS 18	16	17,5 - 19,0	0,59
VS 20	18	19,0 - 21,0	0,60
VS 22	20	21 - 24	0,67
VS 25	22	24 - 27	0,67
VS 28	25	27 - 29	0,71
VS 30	27	29 - 31	0,73
VS 32	29	31 - 33	0,80
VS 35	31	33 - 36	0,81
VS 38	34	36 - 38	0,85
VS 40	36	38 - 43	0,87
VS 45	40	43 - 48	0,97
VS 50	45	48 - 53	1,08
VS 55	49	53 - 58	1,11
VS 60	54	58 - 63	1,23
VS 65	58	63 - 68	1,36
VS 70	63	68 - 73	1,44
VS 75	67	73 - 78	1,57
VS 80	72	78 - 83	1,68
VS 85	76	83 - 88	1,81
VS 90	81	88 - 93	1,97
VS 95	85	93 - 98	1,99
VS 100	90	98 - 105	2,06
VS 110	99	105 - 115	2,87
VS 120	108	115 - 125	3,51
VS 130	117	125 - 135	4,26
VS 140	126	135 - 145	5,18
VS 150	135	145 - 155	5,71
VS 160	144	155 - 165	8,93
VS 170	153	165 - 175	10,14
VS 180	162	175 - 185	11,30
VS 190	171	185 - 195	12,32
VS 199	180	195 - 210	13,35


**V-Ring tipo VL**

Riferimento	øi anello	ø albero	€/ Cad.
VL 120	108	115 - 125	3,51
VL 130	117	125 - 135	4,26
VL 140	126	135 - 145	5,18
VL 150	135	145 - 155	5,71
VL 160	144	155 - 165	8,93
VL 170	153	165 - 175	10,14
VL 180	162	175 - 185	11,30
VL 190	171	185 - 195	12,32
VL 200	182	195 - 210	13,79
VL 220	198	210 - 233	14,67
VL 250	225	233 - 260	18,58
VL 275	247	260 - 285	27,19
VL 300	270	285 - 310	33,06
VL 325	292	310 - 335	39,89
VL 350	315	335 - 365	44,95
VL 375	337	365 - 385	51,77
VL 400	360	385 - 410	57,06
VL 425	382	410 - 440	63,59
VL 450	405	440 - 480	70,05
VL 500	450	480 - 530	87,75
VL 550	485	530 - 580	105,86
VL 600	540	580 - 630	123,27


**V-Ring tipo VE**

Prezzi su richiesta

# Anelli di tenuta frontale tipo V-Ring in fluorelastomero FPM



V-Ring tipo VS



V-Ring tipo VA

Riferimento	Ø anello	Ø albero	€ da 1 a 49 pz.	€ da 50 a 199 pz.	€ oltre i 199 pz.	Riferimento	Ø anello	Ø albero	€ da 1 a 49 pz.	€ da 50 a 199 pz.	€ oltre i 199 pz.
VS 10	9	9,5 - 11,5	1,02	0,92		VS 10	9	9,5 - 11,5	1,02	0,92	
VS 12	10,5	11,5 - 13,5	1,02	0,92		VS 12	10,5	11,5 - 13,5	1,02	0,92	
VS 14	12,5	13,5 - 15,5	1,02	0,92		VS 14	12,5	13,5 - 15,5	1,02	0,92	
VS 16	14	15,5 - 17,5	1,02	0,92		VS 16	14	15,5 - 17,5	1,02	0,92	
VS 18	16	17,5 - 19,0	1,02	0,92		VS 18	16	17,5 - 19,0	1,02	0,92	
VS 20	18	19,0 - 21,0	1,02	0,92		VS 20	18	19,0 - 21,0	1,02	0,92	
VS 22	20	21 - 24	1,16	1,05		VS 22	20	21 - 24	1,16	1,05	
VS 25	22	24 - 27	1,16	1,05		VS 25	22	24 - 27	1,16	1,05	
VS 28	25	27 - 29	1,26	1,16		VS 28	25	27 - 29	1,26	1,16	
VS 30	27	29 - 31	1,30	1,16		VS 30	27	29 - 31	1,30	1,16	
VS 32	29	31 - 33	1,50	1,36		VS 32	29	31 - 33	1,50	1,36	
VS 35	31	33 - 36	1,50	1,36		VS 35	31	33 - 36	1,50	1,36	
VS 38	34	36 - 38	1,67	1,53		VS 38	34	36 - 38	1,67	1,53	
VS 40	36	38 - 43	1,67	1,53		VS 40	36	38 - 43	1,67	1,53	
VS 45	40	43 - 48	1,85	1,71		VS 45	40	43 - 48	1,85	1,71	
VS 50	45	48 - 53	2,32	2,12		VS 50	45	48 - 53	2,32	2,12	
VS 55	49	53 - 58	2,73	2,53		VS 55	49	53 - 58	2,73	2,53	
VS 60	54	58 - 63	3,14	2,94		VS 60	54	58 - 63	3,14	2,94	
VS 65	58	63 - 68	3,28	3,07		VS 65	58	63 - 68	3,28	3,07	
VS 70	63	68 - 73	3,47	3,28		VS 70	63	68 - 73	3,47	3,28	
VS 75	67	73 - 78	3,83	3,55		VS 75	67	73 - 78	3,83	3,55	
VS 80	72	78 - 83	4,43	4,08		VS 80	72	78 - 83	4,43	4,08	
VS 85	76	83 - 88	5,18	4,70		VS 85	76	83 - 88	5,18	4,70	
VS 90	81	88 - 93	5,79	5,45		VS 90	81	88 - 93	5,79	5,45	
VS 95	85	93 - 98	6,38	6,06		VS 95	85	93 - 98	6,38	6,06	
VS 100	90	98 - 105	7,02	6,61		VS 100	90	98 - 105	7,02	6,61	
VS 110	99	105 - 115	8,52	8,04		VS 110	99	105 - 115	8,52	8,04	
VS 120	108	115 - 125	10,09			VS 120	108	115 - 125	10,09		
VS 130	117	125 - 135	11,16			VS 130	117	125 - 135	11,16		
VS 140	126	135 - 145	12,87			VS 140	126	135 - 145	12,87		
VS 150	135	145 - 155	13,68			VS 150	135	145 - 155	13,68		
VS 160	144	155 - 165	15,56			VS 160	144	155 - 165	15,56		
VS 170	153	165 - 175	16,92			VS 170	153	165 - 175	16,92		
VS 180	162	175 - 185	17,60			VS 180	162	175 - 185	17,60		
VS 190	171	185 - 195	22,34			VA 190	171	185 - 195	22,34		
VS 199	180	195 - 210	24,36			VA 199	180	195 - 210	24,36		
						VA 200	180	190 - 210	31,81		
						VA 220	198	210 - 235	36,55		
						VA 250	225	235 - 265	43,65		
						VA 275	247	265 - 290	49,41		
						VA 300	270	290 - 310	57,53		
						VA 325	292	310 - 335	59,55		
						VA 350	315	335 - 365	66,99		
						VA 375	337	365 - 390	77,83		
						VA 400	360	390 - 430	77,83		
						VA 450	405	430 - 480	87,98		
						VA 500	450	480 - 530	96,78		
						VA 550	495	530 - 580	108,28		

Prezzi su richiesta

Prezzi su richiesta

Prezzi su richiesta

Prezzi su richiesta

Prezzi su richiesta

## Altri prodotti che fanno parte del nostro programma di vendita:

### Antivibranti contro le vibrazioni e i rumori

### Prodotti per il trattamento delle superfici, ecologici e non tossici

- Deossidante, sgrassante e fosfatante in una sola operazione, senza necessità di risciacquo
- Potente sgrassante a freddo
- Potente desossidante
- Sverniciante per tutti i tipi di vernici

### Guarnizioni per l'industria

- Anelli di tenuta per alberi rotanti
- Anelli di tipo V-Ring
- Raschiatori
- O-Ring in tutte le mescole e metallici
- O-Ring rivestiti in FEP o PFA
- Tenute meccaniche e baderne
- Guarnizioni di tenuta in Teflon

### Cinghie in gomma e poliuretano con pulegge

### Materiali tecnoplastici ed elastomeri in semilavorati e pezzi finiti a disegno

### Lubrificanti speciali a base di Teflon micronizzato e polarizzato

## Weitere Artikel in unserem Verkaufsprogramm:

### Schwingungsämpfer zur Schwingungs- und Schallisolation

### Oekologische und ungiftige Produkte zur Oberflächenbehandlung

- Desoxydation, Entfettung und Phosphatieren in einem einzigen Arbeitsgang. Keine Spülung
- Starker Entfetter auf kaltem Weg
- Starkes Desoxydationsmittel
- Starkes Abbeizmittel für alle Lacke

### Dichtungen für die Industrie

- Dichtringe für rotierende Wellen
- V-Ringe
- Abstreifer
- O-Ringe aus allen Mischungen und Metall-O-Ringe
- FEP- und PFA verkleidete O-Ringe
- Mechanische Dichtungen
- Teflon-Dichtungen

### Gummi und Polyurethanriemen mit Scheiben

### Technoplastisches Material und Elastomere als Halbfabrikate oder als Fertigteile nach Zeichnung

### Spezialschmiermittel hauptsächlich aus mikronisiertem und polarisiertem Teflon

## Further articles in our sales program:

### Components for vibration and noise isolation

### Ecologic and non-toxic products for surface treatment

- Deoxidizer, grease remover and phosphatizer in a single operation  
No rinsing required
- Strong cold grease remover
- Strong deoxidizer
- Paint remover for all kinds of paints

### Seals for industry

- Rotating shaft seals
- V-Rings
- Wiper seals
- O-Rings in all compounds and metallic O-Rings
- FEP or PFA-coated O-Rings
- Mechanical seals
- Teflon seals

### Rubber and polyurethan belts with pulleys

### Technoplastic materials and elastomers as semifinished product and as finished parts according to drawing

### Special lubricants consisting of micronized and polarized Teflon

## Autres produits de notre programme de vente:

### Amortisseurs contre les vibrations et les bruits

### Produits pour le traitement des surfaces, écologiques et non-toxiques

- Désoxydant, dégraissant et phosphatisant dans une seule opération, sans nécessité de rinçement
- Dégraissant puissant à froid
- Désoxydant puissant
- Dévernissant pour tout type de vernis

### Joints d'étanchéité pour l'industrie

- Bagues d'étanchéité pour arbres de rotations
- Bagues type V-Ring
- Bagues de raclage
- O-Ring en tous types de gomme et métalliques
- O-Ring avec revêtement en FEP ou PFA
- Joints d'étanchéité mécaniques
- Joints d'étanchéité en Teflon

### Sangles en gomme et polyurethane avec poulies

### Matériaux technoplastiques et élastomères en forme de semi-produits ou de pièces finies selon dessin

### Lubrifiants spéciaux à base de Teflon micronisé et polarisé

